



ENAPART



93 S Railroad Avenue Unit C
Bergenfield NJ 07621 USA
www.enapart.com
sales@enapart.com



Via del Canneto 35,
Borgosatollo, Brescia - Italia
www.enapart.it
vendite@enapart.it



Barbaros Mah. Ihlamur Bul. Aĝaoĝlu
My Newwork No:3/15 Ataşehir / İstanbul
www.enapart.net
satis@enapart.net



PRIVADA 10 B SUR #3908 COL.
ANZUREZ, C.P. 72530, PUEBLA, PUE
www.enapart.com.mx
sales@enapart.com.mx



Friedrich-Ebert-Anlage 36, 60325
Frankfurt am Main, Germany
www.enapart.de
anfrage@enapart.de



4 boulevard Carnot, 95400
villiers-le-bel, Paris, France
www.enapart.fr
sales@enapart.fr



65049, ОДЕСА, ВУЛИЦЯ ІВАНА
ФРАНКА, БУДИНОК 55, ПОВЕРХ 3
www.enapart.com.ua
sales@enapart.com.ua



MUNICIPIUL BUCUREȘTI, SECTOR 3,
B-DUL BASARABIA, NR.250, CORP P+5
www.enapart.ro
sales@enapart.ro



〒584-0023 大阪府富田林市若松町
東2丁目2番16号
www.enapart.co.jp
sales@enapart.co.jp



PLAZA NUESTRA SEÑORA DE LAS
NIEVES 12 ,LOCAL ,50012,ZARAGOZA
www.enapart.es
ventas@enapart.es

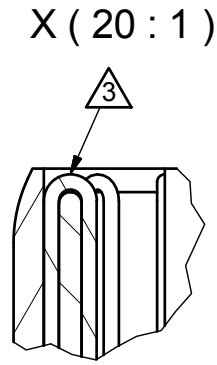
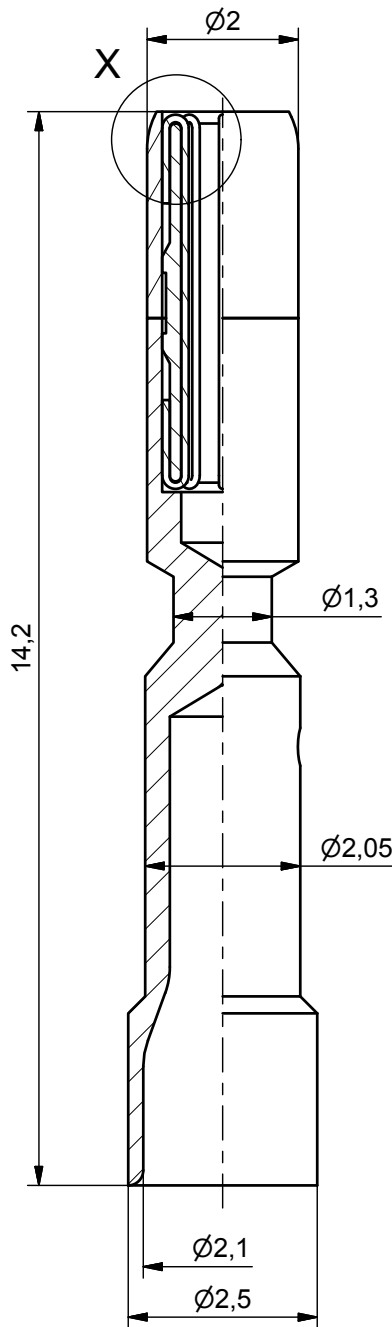


Складова база „Онгъл“, Склад А2, п.к.
4006, гр. Пловдив, България
www.enapart.bg
sales@enapart.bg



3 Austin Mews, High Street, Hemel
Hempstead, HP1 3AF , United Kingdom
www.enapart.co.uk
sales@enapart.co.uk

Please note: German is the original language of this document. In case of any conflict with the English translation, the German version will prevail and therefore be the binding one.



Oberfläche:
Surface:

△ = fl. Cu Ni2 Au0,2
Tol: +100/-0%
passiviert

△ = Schichtdickenmesspunkt
coating thickness point

fine Toleranzen verwendet
/fine tolerances applied

Tabelle/table								
Dimension [mm]	0.5-3	3-6	6-30	30-120	120-400	400-1000	1000-2000	Toler.
f/fine	±0.05	±0.05	±0.1	±0.15	±0.2	±0.3	±0.5	DIN ISO
m/medium	±0.1	±0.1	±0.2	±0.3	±0.5	±0.8	±1.2	2768

technical specification:

scale drawing

Weitergabe sowie Vervielfältigung dieser Unterlage, Verwertung und Mitteilung ihres Inhalts /The reproduction, transmission or use of this document or its contents sind nicht gestattet, soweit nicht ausdrücklich zugestanden. Zuwiderhandlungen verpflichten zu /is not permitted without express written authority. Offenders will be liable for damages. Schadenersatz. Alle Rechte im Fall der Patenterteilung oder GM - Eintragung vorbehalten. /All rights, including rights by patent or registration of utility model or design, are reserved.

All dimensions without unities in mm

Scale
10:1

Drawing-no.
135867

008	4200	19.02.18	Klein	19.02.2018	Ondrej
Index	Change order-no.	Date	Name	Date	Name
		Modified		Approved	

Part name
Kontaktbuchse 1 mm, Crimpbereich 0,14 - 1,0 mm²
Contact Socket 1 mm, crimping range 0.14 - 1.0 mm²



Part number
60.001.11
60-0001-011-000

Weight 0.184 g
Werkstoff Material
Messing brass

05.08.2014	Apfelbeck				
Date	Name	Date	Name		
Creator		Approved			

D-style
MZ

P. 1 of 1

Issue date, NZ

Y7-0273-000-000